

hydroo[®]

NDROO SERIES

HQX

**Stainless steel
self-priming
gas-liquid pump
50Hz**



PRESENTATION

Hydroo Pump Industries SL is an enterprise specialised in the research, development and large-scale production of Stainless Steel centrifugal pumps. We have a vertical integration of the production processes, standing out stamping, welding and motor wiring in 6 value centers and production units. All of them with a high performance management on pump engineering and production quality.

HYDROO has set up a wide range of pumping solutions for many applications as building services, industry, irrigation and industrial process. Customers enjoy of the highest performance in booster sets and pressurization, fire-fighting sets, pumping of underground water, HVAC, drainage and sewage, utilities, desalination and OEM integrations. Versions in 50 Hz and 60 Hz are available, as well as any modification on materials, on request.

Global water challenges require excellence in pumping technologies

and close cooperation between pump designers, manufacturers and pump engineers. In order to better meet the customers' needs and requirements our company is facing an expansion of its operations worldwide, providing timely and effective services in more than 30 countries. With tight relationships in many regions, we're proud to introduce a new regional value center for Europe. We are based near Barcelona at the Girona industrial area. Hydroo is a trademark to forge excellent and successful business relationships with our value customers by means of an operative assembling unit and an application engineering unit. HYDROO trademark wants to symbolize the firm commitment for a high level service to our value partners.

At Hydroo we bet on a high level service to our value pump partners.

HQX

Stainless steel
self-priming
gas-liquid pump

Applications

Air-float treatment facilities
Ozone water generator
Heavy-oxygen-enriched
water generator
Biochemical aeration
devices
Other industrial
applications

Description

HQX and HQXL designed for clear and low viscosity liquid, or liquid containing extra-fine foreign matters.

HQXB and HQXBL designed for clear and low viscosity liquid, or explosive flammable liquid wick containing very little solids.

It is simple in structure and operation, easy in maintenance and durable and needs less components. It has a good self suction capacity and a wide application range.

Performance range

Flow range: 0.5 ~ 18 m³/h

Head: 10 ~ 70 m

Temperature: -15 °C ~ +120 °C

Speed: 2900 rpm or 3500 rpm

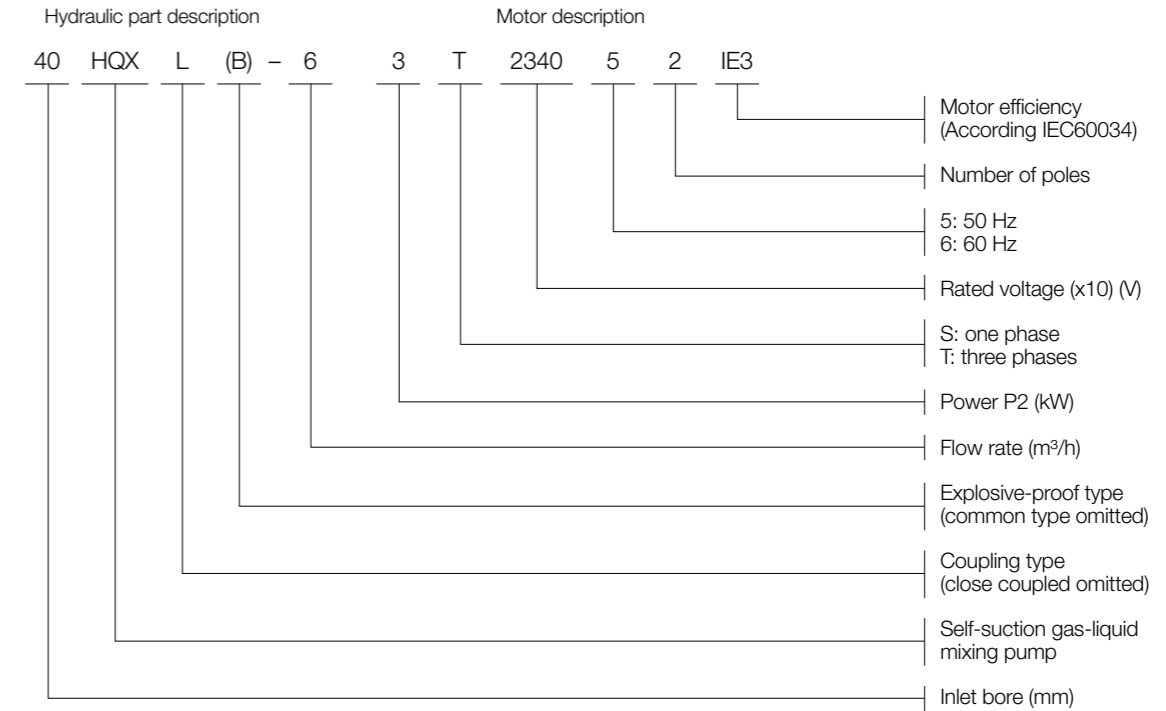
Power: up to 7,5 kW

Standard material

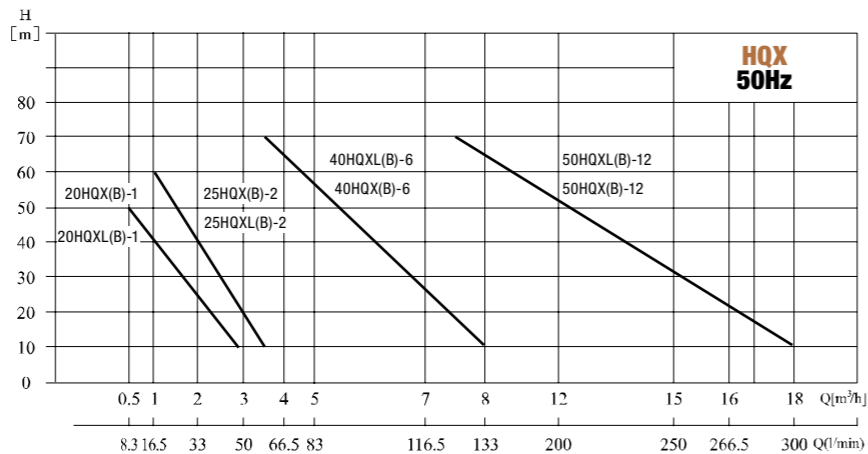
AISI304 Stainless steel



Definition of model



Performance scope



Performance table

| Model | Motor | | | H (m) | Q (m ³ /h) | | | | | | | | | | | | | | | | | | | | | | | |
|------------|-------|------|---------|-----------------------|-----------------------|-----|------|-----|------|-----|-----|---------|-----------------------|-----|------|-----|------|-----|---|-----|-----|-----|-----|-----|-----|-----|----|--|
| | (kW) | (hp) | PH | | 10 | 20 | 30 | 40 | 50 | 60 | 70 | | | | | | | | | | | | | | | | | |
| 20HQX-1 | 0.55 | 0.75 | 1PH 3PH | Q [m ³ /h] | 2.8 | 2.2 | 1.6 | 1 | 0.4 | | | | | | | | | | | | | | | | | | | |
| 20HQXB-1 | | | 3PH | | | | | | | | | | | | | | | | | | | | | | | | | |
| 25HQX-2 | 1.1 | 1.5 | 1PH 3PH | | | | | | | | | 3.5 | 3 | 2.5 | 2 | 1.5 | 1 | | | | | | | | | | | |
| 25HQXB-2 | | | 3PH | | | | | | | | | | | | | | | | | | | | | | | | | |
| 40HQX-6 | 3 | 4 | 3PH | | | | | | | | | | | | | | | | 8 | 7.4 | 6.7 | 6 | 5.2 | 4.3 | 3.5 | | | |
| 40HQXB-6 | | | | | | | | | | | | | | | | | | | | | | | | | | 5.5 | | |
| 50HQX-12 | 5.5 | 7.5 | | | 3PH | 18 | 16.4 | 15 | 13.6 | 12 | 10 | | | | | | | | | | | | | | | 7.5 | | |
| 50HQXB-12 | | | | | | | | | | | | | | | | | | | | | | | | | | | 10 | |
| 20HQXL-1 | 0.55 | 0.75 | | | | | | | | | | 1PH 3PH | Q [m ³ /h] | 2.8 | 2.2 | 1.6 | 1 | 0.4 | | | | | | | | | | |
| 20HQXLB-1 | | | | | | | | | | | | 3PH | | | | | | | | | | | | | | | | |
| 25HQX2 | 1.1 | 1.5 | 1PH 3PH | | | | | | | | | 3.5 | | | | | | | 3 | 2.5 | 2 | 1.5 | 1 | | | | | |
| 25HQXLB-2 | | | 3PH | | | | | | | | | | | | | | | | | | | | | | | | | |
| 40HQXL-6 | 4 | 5.5 | 3PH | 8 | 7.4 | 6.7 | 6 | 5.2 | 4.3 | 3.5 | | | | | | | | | | | | | | | | | | |
| 40HQXLB-6 | | | | | | | | | | | | | | | | | | | | | | | | | | | | |
| 50HQXL-12 | 7.5 | 10 | | | | | | | | | 3PH | | | 18 | 16.4 | 15 | 13.6 | 12 | | | | | | | 10 | 7.5 | | |
| 50HQXLB-12 | | | | | | | | | | | | | | | | | | | | | | | | | | | | |

Working conditions

- HQX and HQXL designed for clear and low viscosity liquid, or liquid containing extra-fine foreign matters.

- HQXB and HQXLB designed for clear and low viscosity liquid, or explosive flammable liquid which containing very little solids.

- Liquid Temperature: -15°C-120°C

- Maximum ambient temperature: +40°C

- Gas-liquid ratio 1:9 (gas suction volume 8-10%)

- Inlet: horizontal, outlet: Vertical

Application

- Air suspension treating equipment, ozone water preparing equipment, and biological treating equipment.

- Feeding of heating or cooling medium for various temperature adjusting devices.

- Various filters: sucking or high pressure transferring low viscosity liquid from underground tank, such as gasoline and various solvent.

- Misting treatment of clear water, pure water, foods, chemical solution and waste solution.

- Strict applications (continuous running, abrupt variation in hydraulic pressure): such as small scale steam boiler, high building water supply, high pressure water injection to high pressure tank, and suction from vacuum tank.

- Sampling from river or tank, transfer foamable liquid, transfer liquid through long and horizontal pipeline, where air pockets likely occur.

Features

- It can suck water while sucking gas and pressurize and mix them inside it. Ultra fine air bubble 20-30 4. It renders a good gas liquid solving effect.

- It has stable performances, high efficiency and low noise level, and its gas liquid solving efficiency is as high as twice that of the traditional mode.

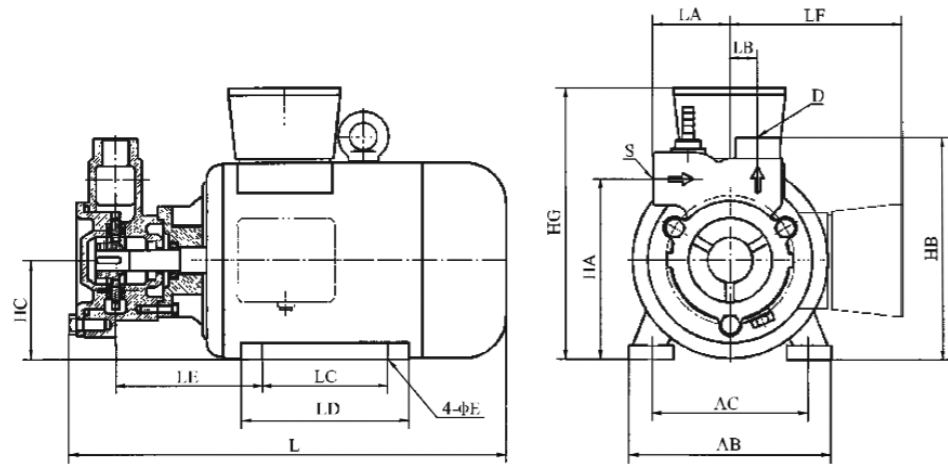
- When it is used in air suspension unit, air compressors, various mixers, high pressure air solving tanks and releasers may be saved and thus the weakness of instable air supply and boiling of large air bubble which likely occur in traditional working model will be eliminated.

- When it is used in ozone water preparing equipment, many mixers and large oxidation towers may be saved and thus the cost for equipment will be greatly reduced. In addition, its gas liquid solving ratio may exceed 95%.

- It is simple in structure and operation, easy in maintenance and durable and needs less components. It has a good self suction capacity and a wide application range.

HQX

Installation sketch

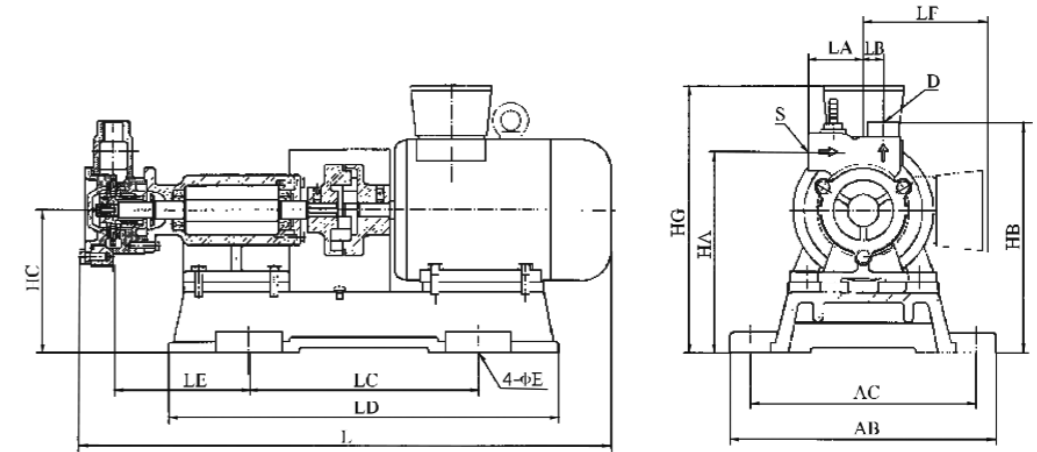


Installation dimensions

| Model | HA | HB | HC | HG | AB | AC | L | LA | LB | LC | LD | LE | LF | S | D | E | Weight (kg) |
|-----------|-----|-----|-----|-----|-----|-----|-----|----|----|-----|-----|-----|-----|------------------|------------------|----|-------------|
| 20HQX-1 | 128 | 158 | 71 | 195 | 150 | 110 | 320 | 55 | 20 | 90 | 120 | 100 | | G $\frac{3}{4}$ | G $\frac{1}{2}$ | 7 | 10 |
| 20HQXB-1 | 128 | 158 | 71 | 260 | 150 | 110 | 320 | 55 | 20 | 90 | 120 | 100 | | G $\frac{3}{4}$ | G $\frac{1}{2}$ | 7 | 20 |
| 25HQX-2 | 150 | 185 | 80 | 214 | 165 | 125 | 327 | 60 | 28 | 100 | 130 | 105 | 145 | G1 | G $\frac{3}{4}$ | 10 | 14 |
| 25HQXB-2 | 150 | 185 | 80 | 340 | 165 | 125 | 327 | 60 | 28 | 100 | 130 | 105 | | G1 | G $\frac{3}{4}$ | 10 | 27 |
| 40HQX-6 | 185 | 230 | 100 | 270 | 200 | 160 | 444 | 70 | 40 | 140 | 180 | 135 | 180 | G1 $\frac{1}{2}$ | G1 $\frac{1}{4}$ | 12 | 36 |
| 40HQXB-6 | 197 | 242 | 112 | 400 | 225 | 190 | 451 | 70 | 40 | 140 | 180 | 142 | | G1 $\frac{1}{2}$ | G1 $\frac{1}{4}$ | 12 | 58 |
| 50HQX-12 | 232 | 290 | 132 | 345 | 280 | 216 | 570 | 77 | 47 | 140 | 200 | 190 | 210 | G2 | G1 $\frac{1}{2}$ | 12 | 63 |
| 50HQXB-12 | 232 | 290 | 132 | 470 | 280 | 216 | 570 | 77 | 47 | 140 | 200 | 190 | | G2 | G1 $\frac{1}{2}$ | 12 | 91 |

HQXL

Installation sketch



Installation dimensions

| Model | HA | HB | HC | HG | AB | AC | L | LA | LB | LC | LD | LE | LF | S | D | E | Weight (kg) |
|------------|-----|-----|-----|-----|-----|-----|-----|----|----|-----|-----|-----|-----|------------------|------------------|------|-------------|
| 20HQXL-1 | 198 | 228 | 141 | 265 | 265 | 225 | 532 | 55 | 20 | 228 | 388 | 135 | | G $\frac{3}{4}$ | G $\frac{1}{2}$ | Φ8.5 | 26 |
| 20HQXLB-1 | 198 | 228 | 141 | 330 | 265 | 225 | 532 | 55 | 20 | 228 | 388 | 135 | | G $\frac{3}{4}$ | G $\frac{1}{2}$ | Φ8.5 | 36 |
| 25HQXL-2 | 220 | 255 | 150 | 284 | 275 | 235 | 610 | 60 | 28 | 293 | 453 | 85 | 145 | G1 | G $\frac{3}{4}$ | Φ11 | 36 |
| 25HQXLB-2 | 220 | 255 | 150 | 410 | 275 | 235 | 610 | 60 | 28 | 293 | 453 | 85 | | G1 | G $\frac{3}{4}$ | Φ11 | 48 |
| 40HQXL-6 | 255 | 300 | 170 | 340 | 345 | 305 | 721 | 70 | 40 | 363 | 523 | 152 | 180 | G1 $\frac{1}{2}$ | G1 $\frac{1}{4}$ | Φ11 | 65 |
| 40HQXLB-6 | 265 | 312 | 182 | 470 | 345 | 305 | 721 | 70 | 40 | 363 | 523 | 152 | | G1 $\frac{1}{2}$ | G1 $\frac{1}{4}$ | Φ11 | 88 |
| 50HQXL-12 | 302 | 360 | 203 | 415 | 390 | 350 | 816 | 77 | 47 | 450 | 610 | 158 | 210 | G2 | G1 $\frac{1}{2}$ | Φ11 | 99 |
| 50HQXLB-12 | 302 | 360 | 203 | 540 | 390 | 350 | 816 | 77 | 47 | 450 | 610 | 158 | | G2 | G1 $\frac{1}{2}$ | Φ11 | 128 |

hydroo®

Be pumping partners

æcht vertriebsgesellschaft mbH

Postfach 1234
63402 Hanau, Deutschland
Tel. +49 (0)69 348 790 780
Fax +49 (0)69 348 790 787
E-mail hydroo@aecht.net

www.hydroo.com/de

HYDROO Pump Industries SL.

Carrer La Banyeta Nova, 11
Polígon Industrial La Banyeta
17843 Palol de Revardit Catalonia. Spain
Tel. +34 972 394 654
E-mail: info@hydroo.com

201847-CTL-HQX-EN
subject to amendments

